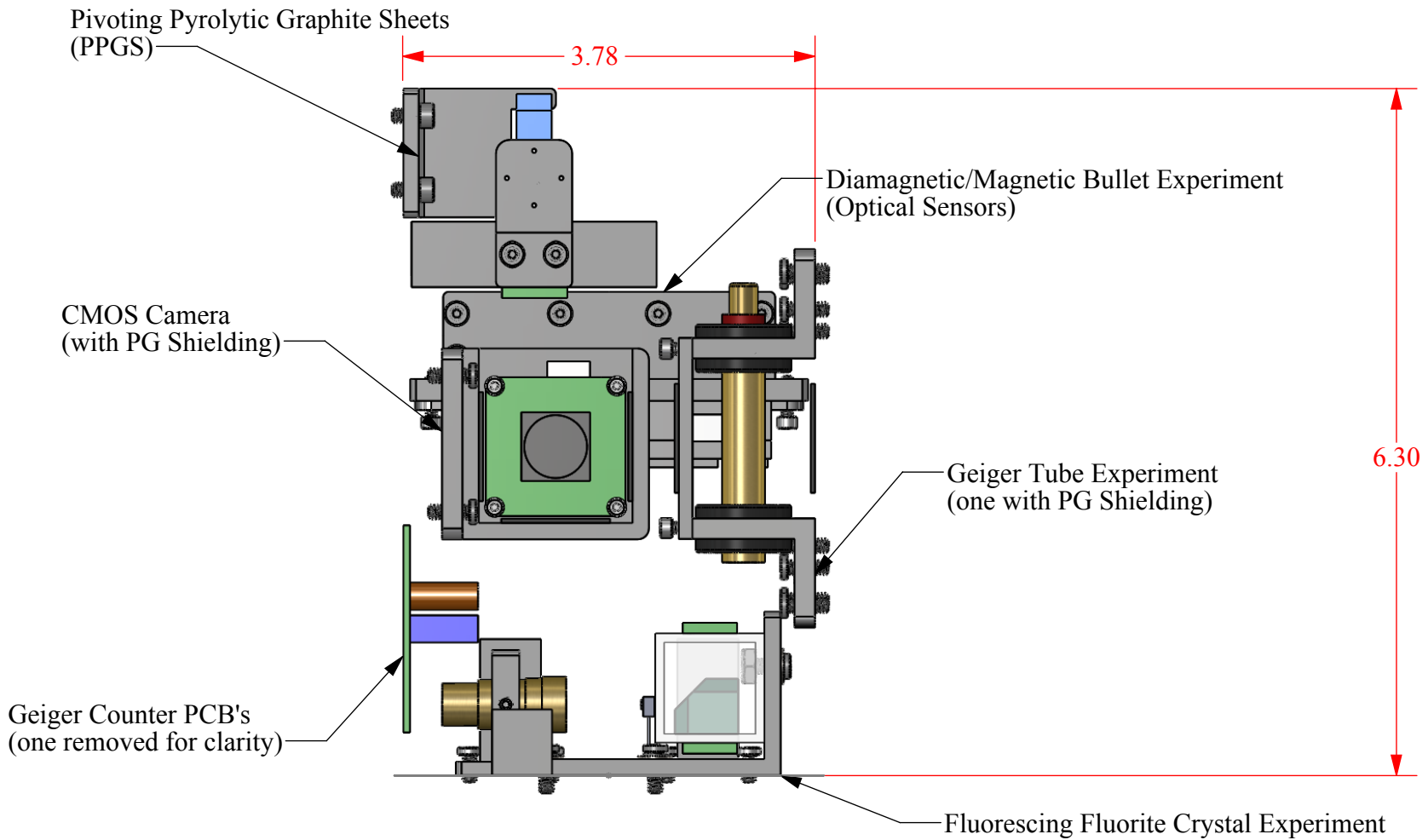


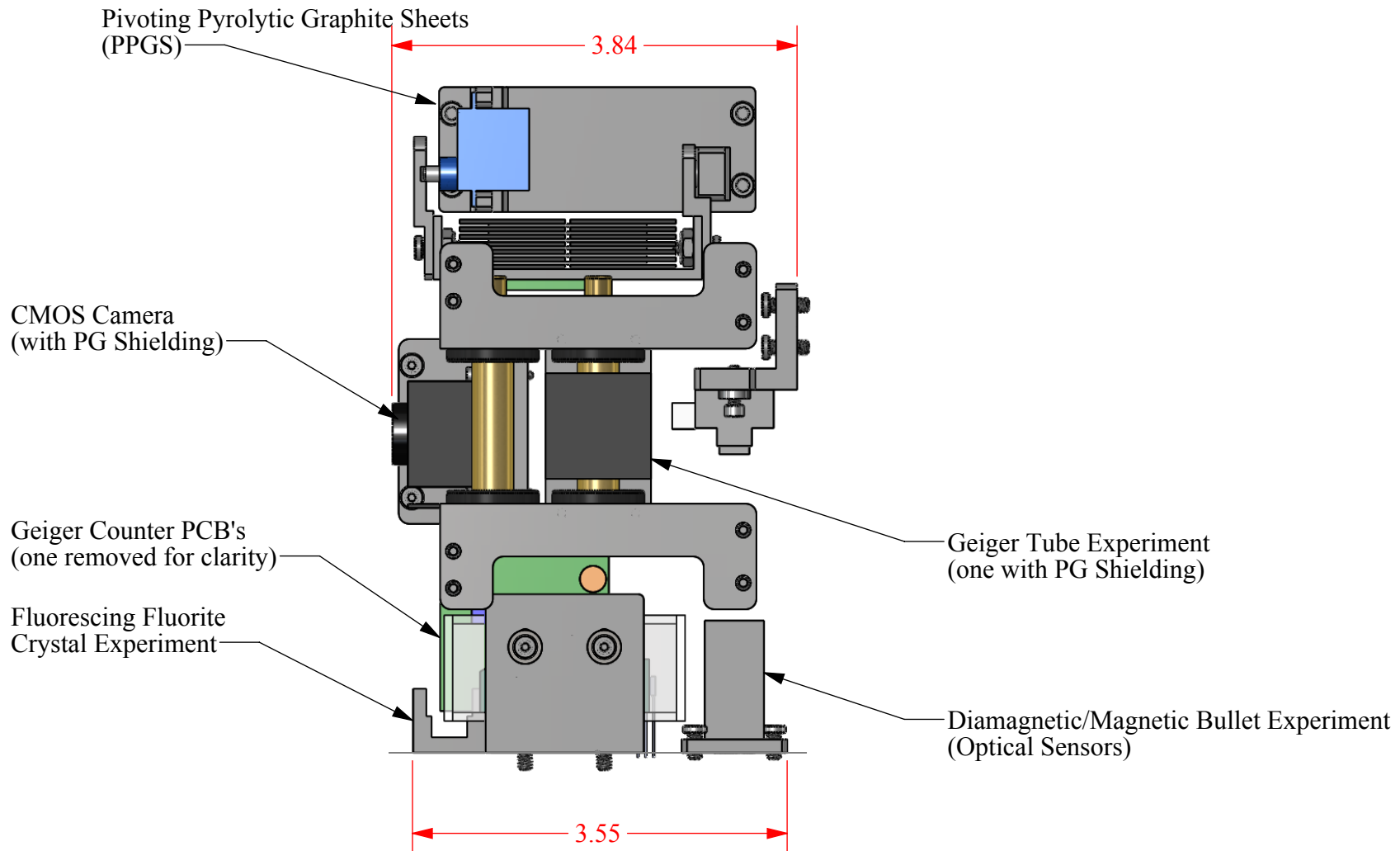
UNLESS OTHERWISE SPECIFIED:		NAME	DATE
DIMENSIONS ARE IN INCHES		DRAWN	Shayne Casavant Jul 9, 2012
TOLERANCES:		CHECKED	
FRACTIONAL $\pm 1/32$		ENG APPR.	
ANGULAR: MACH $\pm 1^\circ$ BEND $\pm 1^\circ$		MFG APPR.	
TWO PLACE DECIMAL $\pm .01$		Q.A.	
THREE PLACE DECIMAL $\pm .002$		COMMENTS:	
INTERPRET GEOMETRIC TOLERANCING PER:			
MATERIAL			
FINISH			
DO NOT SCALE DRAWING			

A.G.O Environmental Electronics Victoria, B.C. Canada, V9A 3L4		
TITLE: Diamagnetic Payload Experiments Assembly		
SIZE	DWG. NO.	REV
A	ECOSat/AGO - 003	
SCALE: 1:4		SHEET 1 OF 4



FRONT VIEW

UNLESS OTHERWISE SPECIFIED:		NAME	DATE	A.G.O Environmental Electronics Victoria, B.C. Canada, V9A 3L4
DIMENSIONS ARE IN INCHES TOLERANCES: FRACTIONAL $\pm 1/32$ ANGULAR: MACH $\pm 1^\circ$ BEND $\pm 1^\circ$ TWO PLACE DECIMAL $\pm .01$ THREE PLACE DECIMAL $\pm .002$		DRAWN	Shayne Casavant Jul 9, 2012	
INTERPRET GEOMETRIC TOLERANCING PER:		CHECKED		TITLE: Diamagnetic Payload Experiments Assembly
MATERIAL		ENG APPR.		SIZE DWG. NO. REV
FINISH		MFG APPR.		A ECOSat/AGO - 004
DO NOT SCALE DRAWING		Q.A.		SCALE: 1:4 SHEET 2 OF 4
		COMMENTS:		

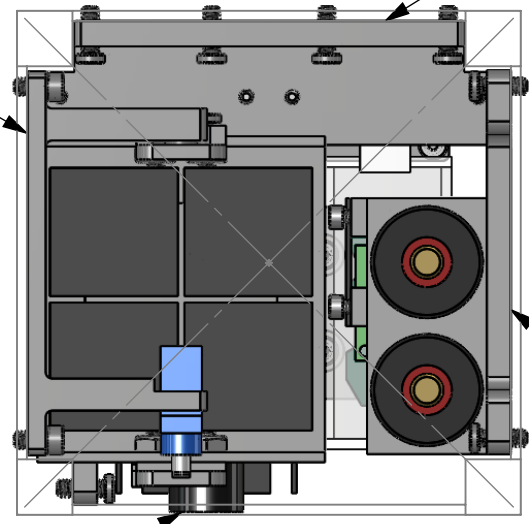


RIGHT VIEW

UNLESS OTHERWISE SPECIFIED:		NAME	DATE
DIMENSIONS ARE IN INCHES		DRAWN	Shayne Casavant
TOLERANCES:			
FRACTIONAL $\pm 1/32$		CHECKED	Jul 9, 2012
ANGULAR: MACH $\pm 1^\circ$ BEND $\pm 1^\circ$		ENG APPR.	
TWO PLACE DECIMAL $\pm .01$		MFG APPR.	
THREE PLACE DECIMAL $\pm .002$		Q.A.	
INTERPRET GEOMETRIC TOLERANCING PER:		COMMENTS:	
MATERIAL			
FINISH			
DO NOT SCALE DRAWING			
A.G.O Environmental Electronics Victoria, B.C. Canada, V9A 3L4			
TITLE:			
Diamagnetic Payload Experiments Assembly			
SIZE	DWG. NO.	REV	
A	AGO/ECOSat - 005		
SCALE: 1:4		SHEET 3 OF 4	

Pivoting Pyrolytic Graphite Sheets (PPGS)

Diamagnetic/Magnetic Bullet Experiment (Optical Sensors)



Geiger Tube Experiment (one with PG Shielding)

CMOS Camera (with PG Shielding)

TOP VIEW

UNLESS OTHERWISE SPECIFIED:		NAME	DATE	A.G.O Environmental Electronics Victoria, B.C. Canada, V9A 3L4	
DIMENSIONS ARE IN INCHES TOLERANCES: FRACTIONAL $\pm 1/32$ ANGULAR: MACH $\pm 1^\circ$ BEND $\pm 1^\circ$ TWO PLACE DECIMAL $\pm .01$ THREE PLACE DECIMAL $\pm .002$		DRAWN	Shayne Casavant		
INTERPRET GEOMETRIC TOLERANCING PER:		CHECKED			TITLE: Diamagnetic Payload Experiments Assembly
MATERIAL		ENG APPR.			
FINISH		MFG APPR.			SIZE DWG. NO. REV
DO NOT SCALE DRAWING		Q.A.			A ECOSat/AGO - 006
		COMMENTS:			SCALE: 1:4 SHEET 4 OF 4